



Miami

3 seater (220cm W) and 2.5 seater (204cm) featured in Frost leather

Construction

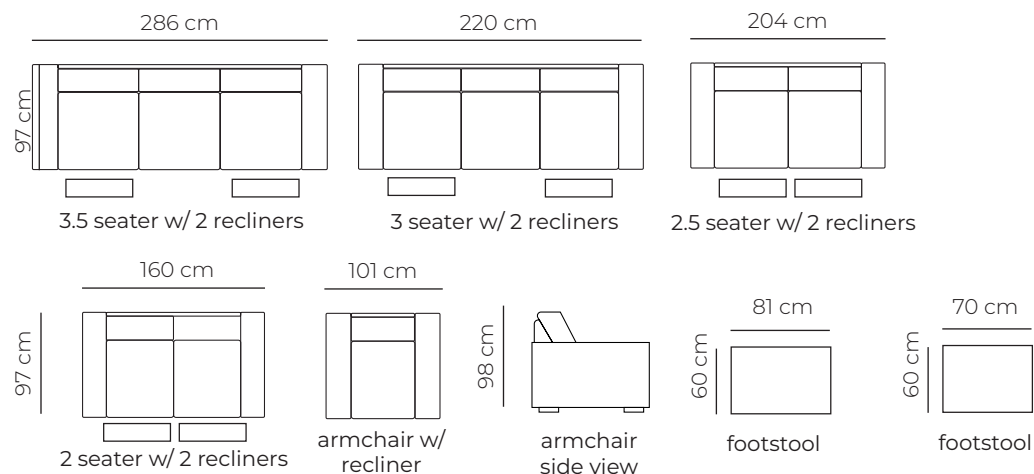
- Kiln-dried plantation timber frame
- No sag spring suspension
- High density foam with fibre wrap seating
- Timber feet

Features & Benefits

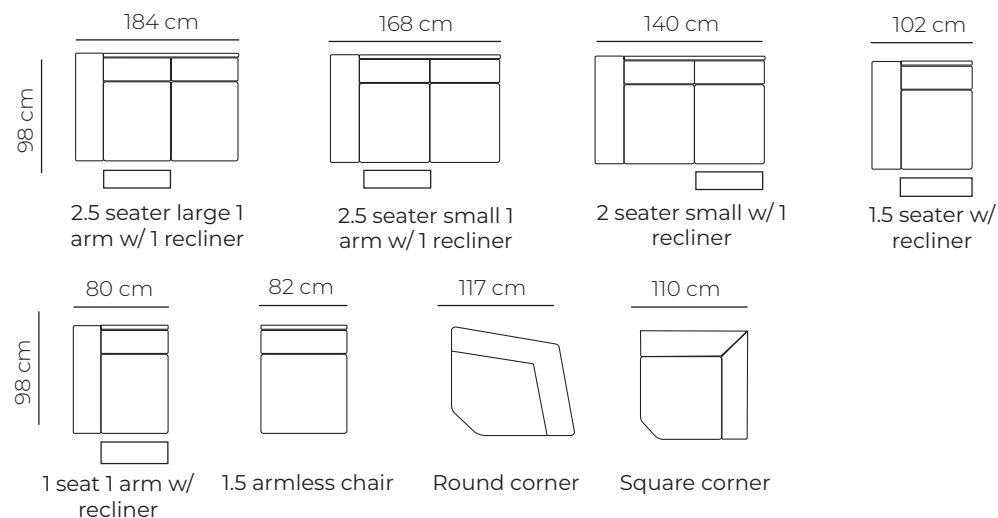
- Available in a large range of fabric and leather options
- Non-reclining options available
- Battery Option available
- 10 Year frame warranty
- No Sag Spring Suspension
- Build your size couch

Notes

Miami Dimensions



Miami Modular Components



* measurements are approximate and are subject to commercial tolerance



Power reclining function



Large choice of leather +fabrics



No sag spring base



10 Year Frame Warranty



2 Year Fabric Warranty

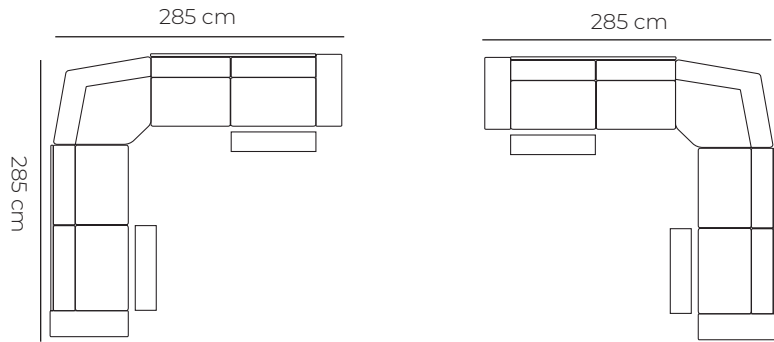


Scan for more information & options on our Miami Range or visit: berkowitz.com.au

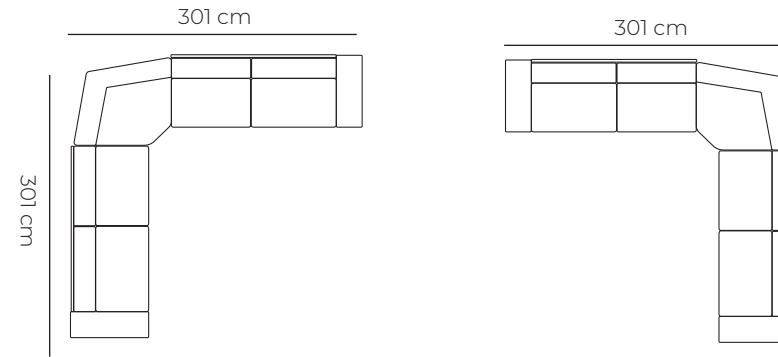
Berkowitz
A FURNITURE FAMILY



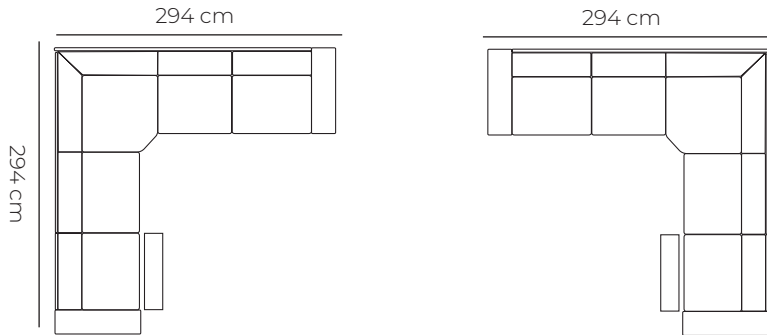
Miami Modular Configurations



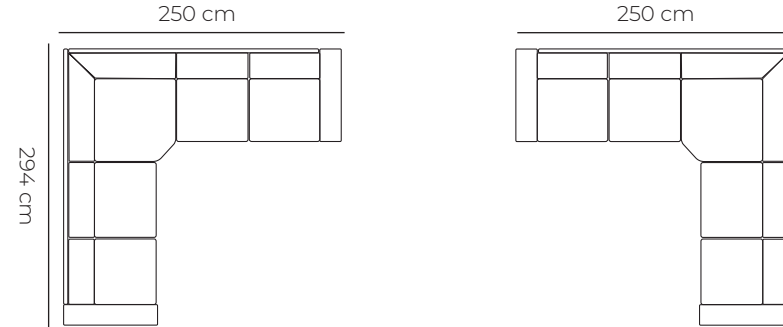
2.5 seat small round corner modular with 2 recliners



2.5 seat large round corner modular with no recliners



2.5 seat small square corner modular with 1 or 2 recliners



2 seat square corner modular with no recliners